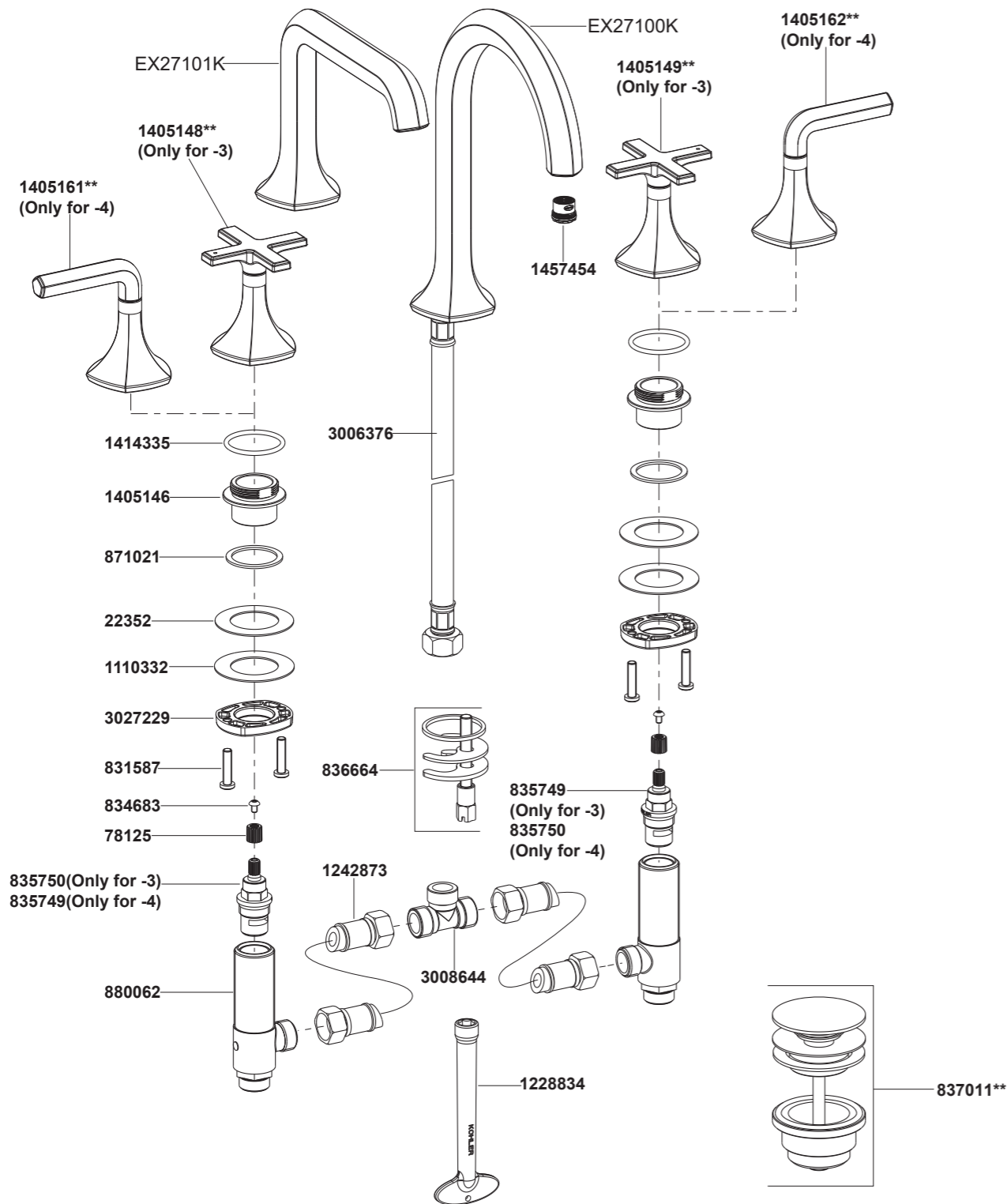


- EX27100K-3 Widespread Lavatory Faucet - C Spout with Cross Handles
- EX27100K-4 Widespread Lavatory Faucet - C Spout with Lever Handles
- EX27101K-3 Widespread Lavatory Faucet - L Spout with Cross Handles
- EX27101K-4 Widespread Lavatory Faucet - L Spout with Lever Handles



\*\*Color code must be specified when ordering.

- EX27100K-3 Widespread Lavatory Faucet - C Spout with Cross Handles
- EX27100K-4 Widespread Lavatory Faucet - C Spout with Lever Handles
- EX27101K-3 Widespread Lavatory Faucet - L Spout with Cross Handles
- EX27101K-4 Widespread Lavatory Faucet - L Spout with Lever Handles

### BEFORE YOU BEGIN

All information is based on the latest product information available at the time of publication. Kohler Co. reserves the right to make changes in product characteristics, packaging, or availability at any time without notice.

Please leave these instructions for the consumer. They contain important information.

### NOTES:

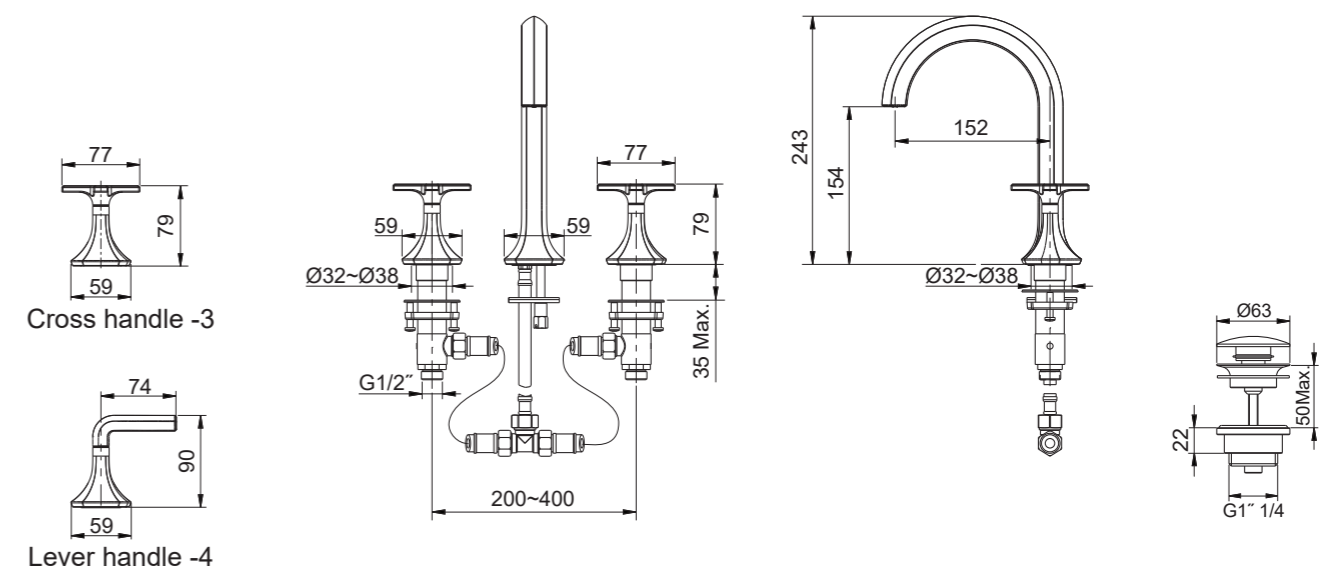
1. Flush the water supply pipes thoroughly to remove debris.
2. If possible, install this faucet before installing the lavatory.
3. Inspect the supply tubing for damage and leakage. Replace and maintain as necessary.
4. Observe local plumbing codes.
5. Shut off the water supplies to the fitting.

### HANDLE OPERATION

For lever handle -4, turn the left handle counter-clockwise for hot water, right handle clockwise for cold water.

For cross handle -3, turn the left handle clockwise for hot water, right handle counter-clockwise for cold water.

### ROUGH-IN DIMENSIONS



EX27100K-3/4

